

Studio™ Shower / Bath Mixers - Pin Lever Handle

This round, geometric tapware range comes in a choice of three finishes and is easy to install.



Without Diverter

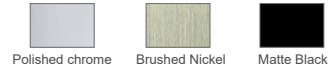


With Diverter

Features

- Easy to install.
- Hard-wearing finish.
- Suitable for equal mains & equal low pressures.

Colour/Finish



Material

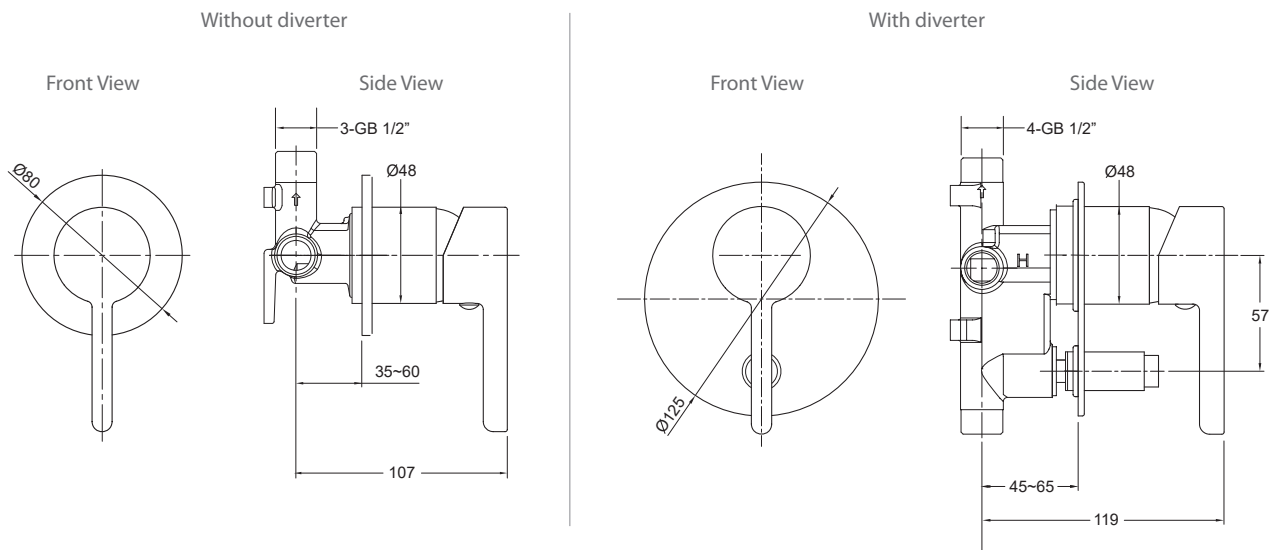
Metal construction.

Included Components

- Mixer with 40mm cartridge valve.
- Trim Kit (Lever and face plate).



Technical Details



Product Codes			
Product	Polished Chrome	Brushed Nickel	Matte Black
Studio - Shower or Bath Mixer	97533A-4-CP	97533A-4-BN	97533A-4-BL
Studio - Shower & Bath Mixer - Diverter	97534A-4-CP	97534A-4-BN	97534A-4-BL