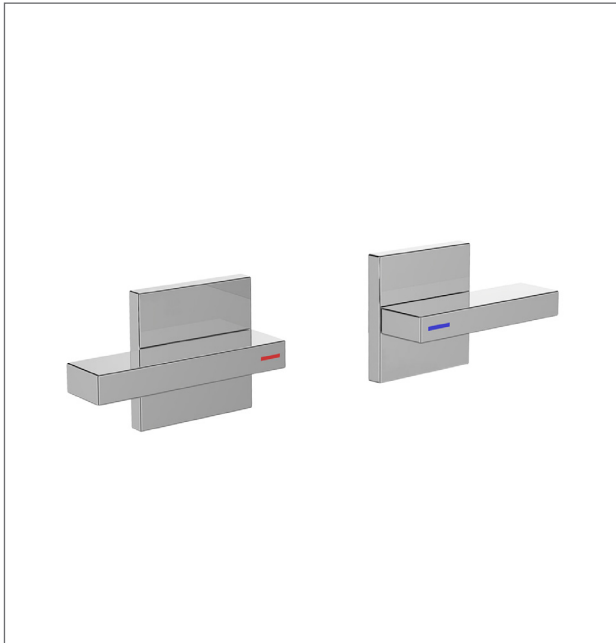


Product

- Loure wall mount shower or bath top assembly set

Kohler Code

75209T-4DR-CP



Included Components

- Concealed breech/valve body

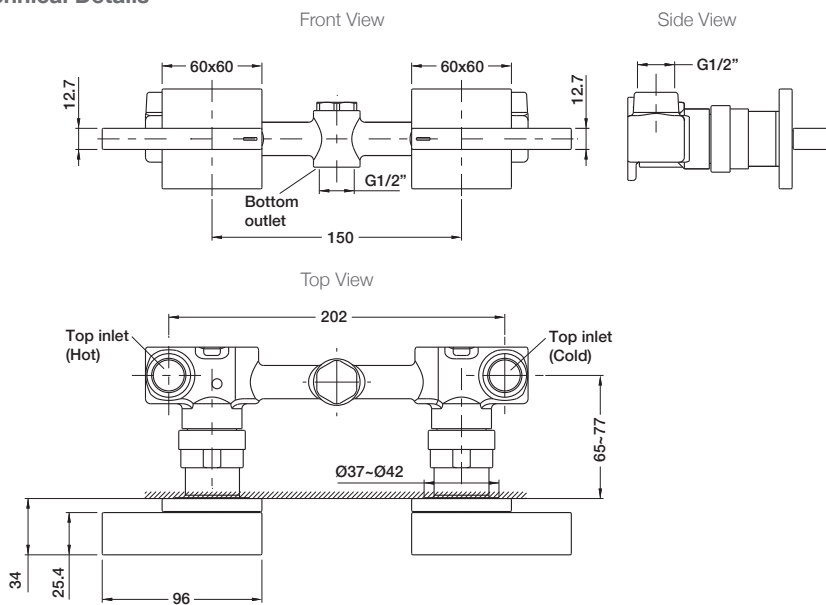
Features

- Polished chrome
- Metal construction
- ¼ turn ceramic disc valves
- Suitable for mains pressure
- KOHLER finishes resist tarnishing and corrosion

Related Products

- Loure tapware
- Loure accessories

Technical Details



Installation Notes:

- Female G1/2" inlets.
- Working pressure 100-500 kPa.
- Maximum hydrostatic pressure 800 kPa (This pressure may be exceeded only under test conditions).
- Maximum temperature 80°C.
- Where normal working pressure exceeds the maximum, pressure limiting valves should be installed.
- Inline filters should be used to protect tapware from debris that may be present within the plumbing.