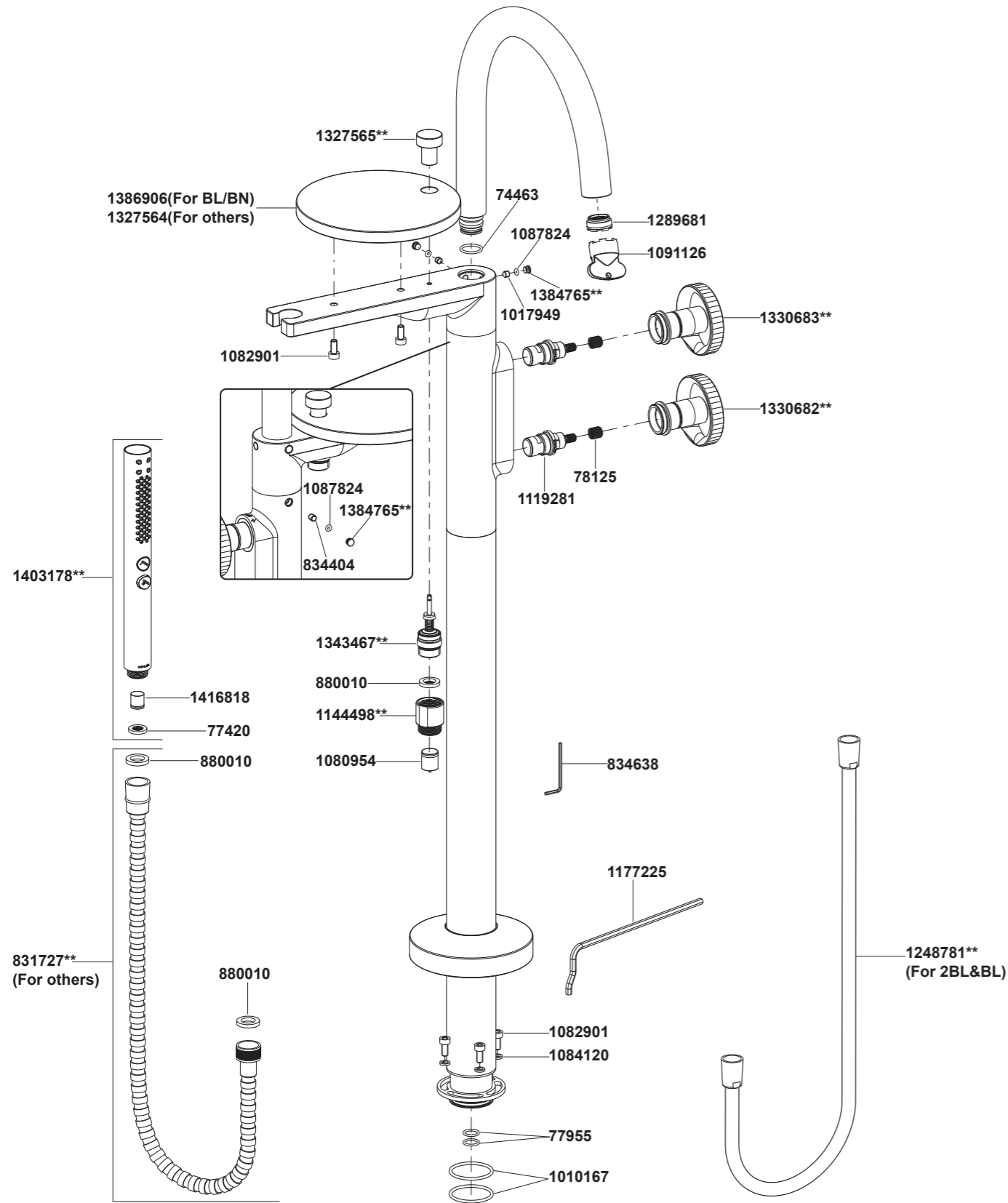


77984T-9E Floor Mount Bath Filler With Handshower



**Color code must be specified when ordering.

77984T-9E Floor Mount Bath Filler With Handshower

BEFORE YOU BEGIN

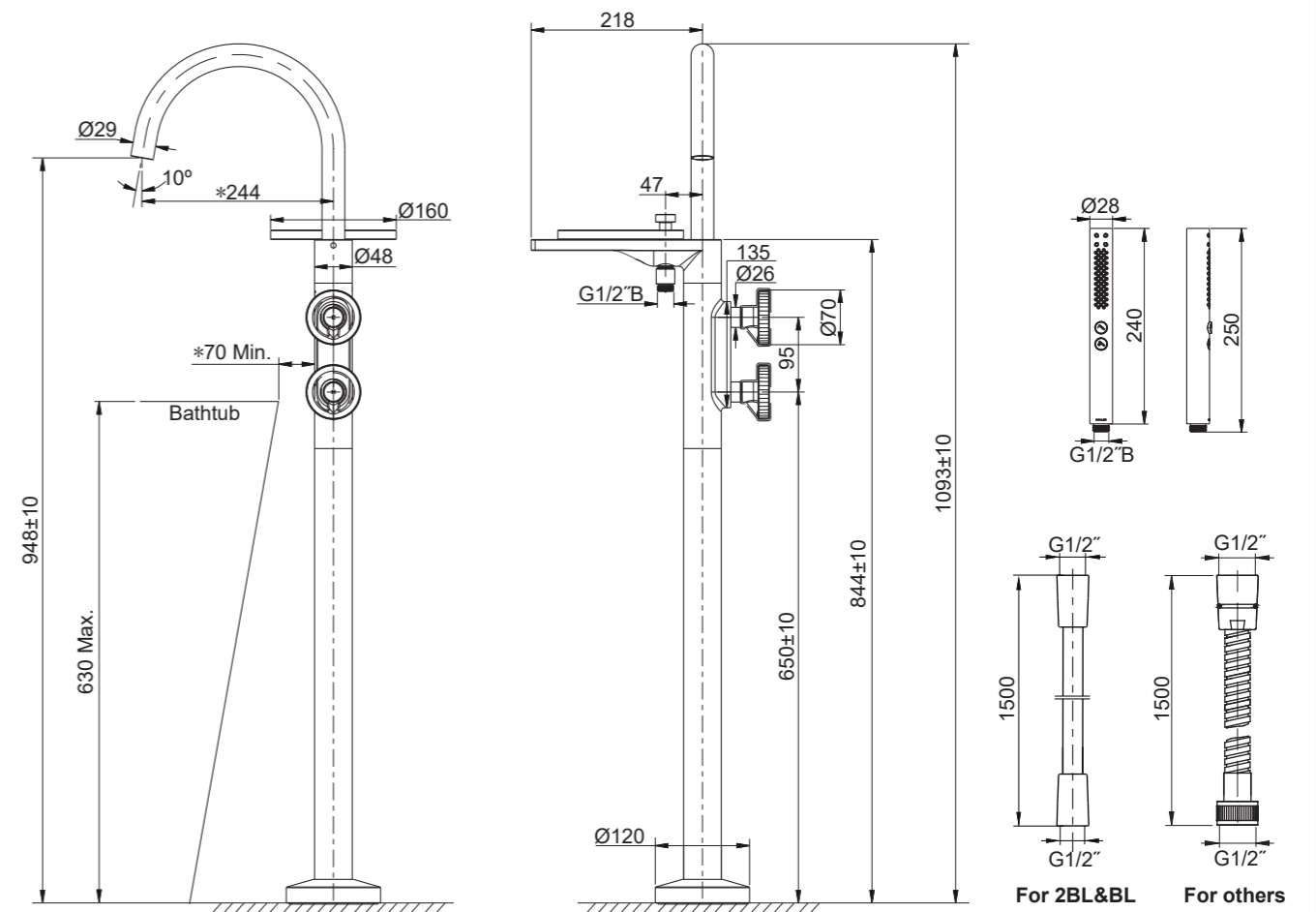
All information is based on the latest product information available at the time of publication. Kohler Co. reserves the right to make changes in product characteristics, packaging, or availability at any time without notice.

Please leave these instructions for the consumer. They contain important information.

NOTES:

1. Flush the water supply pipes thoroughly to remove debris.
2. An inline water filter must be used with this product.
3. Inspect the supply tubing for damage. Replace as necessary.
4. Observe local plumbing codes.
5. The minimum working pressure for the diverter is 0.05MPa(0.5bar).
6. Check for leaks before covering the pipes, repairs as needed.
7. The highest working pressure for handshower is 0.5MPa(5bar). If it exceeds 0.5MPa(5bar), a pressure reducer is needed. The highest water and environment temperature is 60°C. Please keep handshower and shower arm away from heater, or it may become damaged and cause injury to the user.
8. Please purchase the matched mounting base 97905T-DR when install the faucet.
9. All installations should comply with the relevant requirements of AS/NZS 3500 and AS/NZS 6400.

ROUGH-IN DIMENSIONS



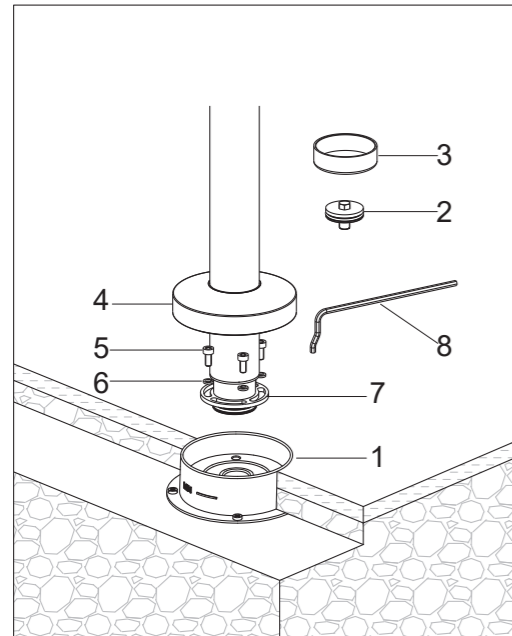
* Please purchase the appropriate bathtub according to the dimension.

HANDLE OPERATION

Turn the upper handle clockwise for cold water; Turn the lower handle counter-clockwise for hot water.

Lift and turn the diverter for handshower. Turn the diverter in the normal position for bath spout.

INSTALLATION



How to Install the Faucet

Shut off water supply. Cut away the extending part of the base protector(1) in accordance with the tile surface. Remove the plug(2) from the base. Remove the protector(3) from the faucet.

Slide up the escutcheon kit(4). Install the faucet. **NOTE:** Keep the faucet vertical to the base, to avoid damaging the O-rings on the bottom.

Keep the "KOHLER" logo on the body pointing to tub. Fix the faucet to the base with the screws(5) and washers(6) through the flange(7). Tighten the screws with hex wrench(8).

Slide down the escutcheon kit, make sure it is against the finished floor.

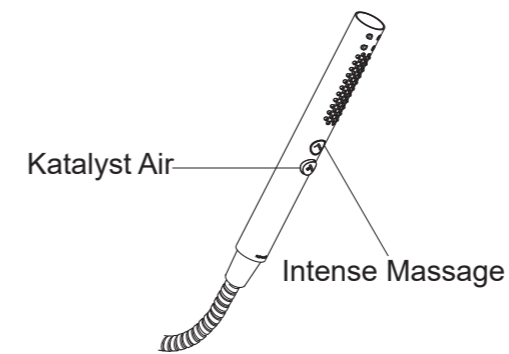
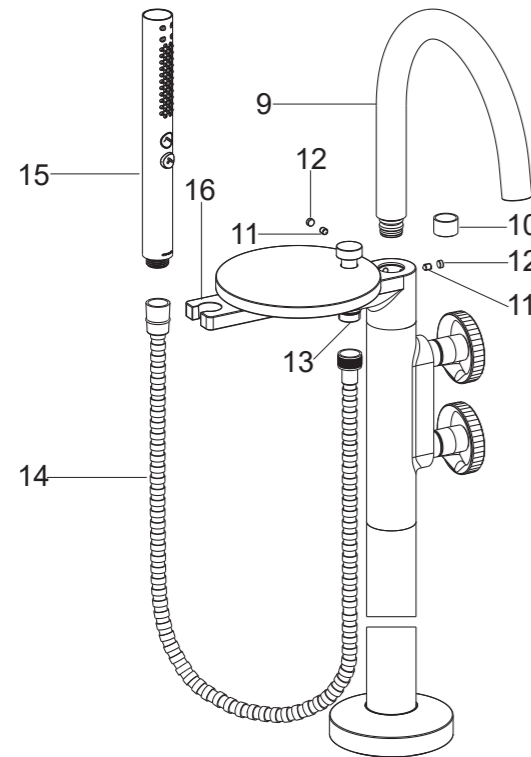
How to Install the Spout

Remove the protector(10) from the spout(9). Install the spout into the body. Position the spout. Make sure it is vertical to the handles. Tighten the screws(11). Insert the plugs(12).

How to Install the Handshower

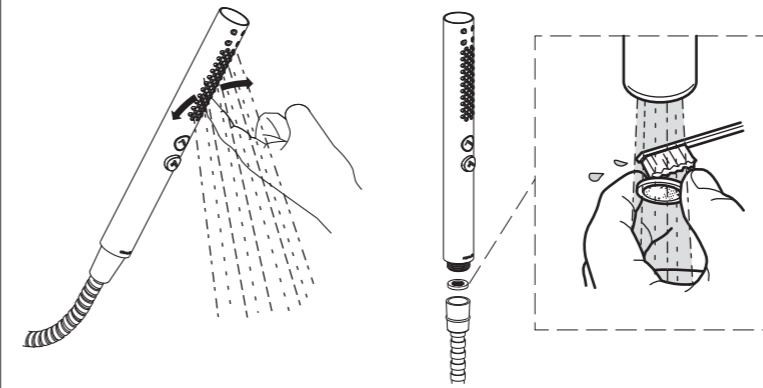
Remove the protector(10) from the connector (13) of the diverter kit. Connect the hose(14) to the diverter kit and handshower(15) with washers. Tighten all the connections.

Hang the handshower on the bracket(16).



How to Operate the Handshower

Press the buttons of the handshower to change water flow.

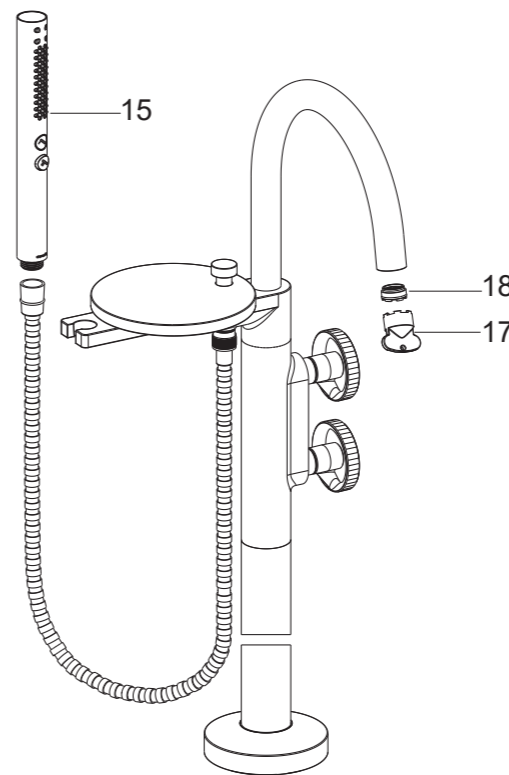


How to Maintain the Handshower

Any debris or mineral build-up may cause the flow stream to become distorted or reduce the flow rate. To remove the debris or mineral build-up, run water through the handshower, firmly press or rub your finger back and forth across the rubber nozzles.

Remove and clean the screen washer.

INSTALLATION CHECKOUT



Ensure that all coupling nuts are tight. Ensure that the handle is in the off position.

Turn on the main water supply, and check for leaks. Repair as needed.

Remove the aerator(18) by key(17). Remove the handshower(15). Turn on faucet handle. Run hot and cold water through spout for about one minute to remove any debris. Check for leaks at this time. Remove any debris. Shut off the faucet. Reinstall the aerator and handshower.

CLEANING INSTRUCTIONS

All Finishes: Clean the finish with mild soap and warm water. Wipe entire surface completely dry with clean soft cloth. Many cleaners may contain chemicals, such as ammonia, chlorine, toilet cleaner etc, which could adversely affect the finish and are not recommended for cleaning.

Do not use abrasive cleaners or solvents on Kohler faucets and fittings.