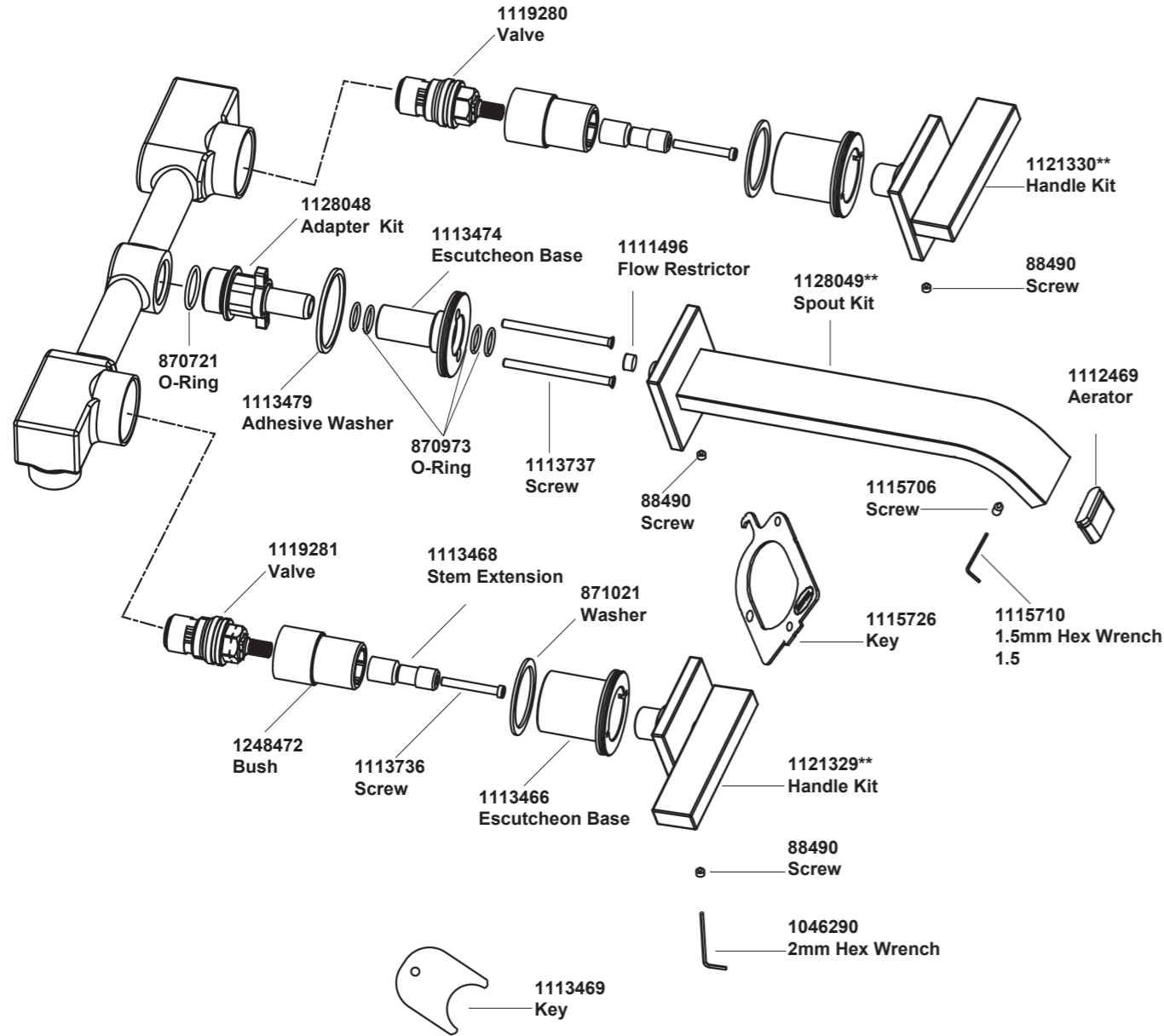


Basin Set - wall mount: 14602A-4ND



**Color code must be specified when ordering

Basin Set - wall mount: 14602A-4ND

BEFORE YOU BEGIN

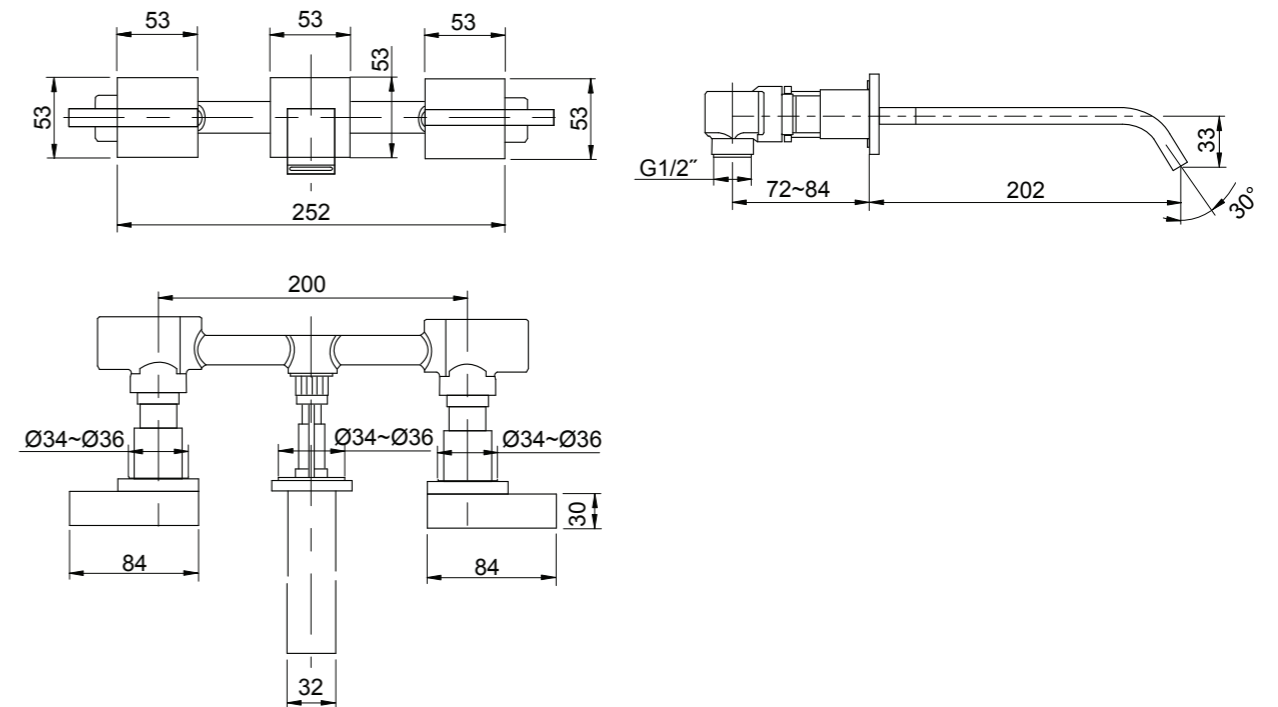
All information is based on the latest product information available at the time of publication. Kohler Co. reserves the right to make changes in product characteristics, packaging, or availability at any time without notice.

Please leave these instructions for the consumer. They contain important information.

NOTES:

1. Flush the water supply pipes thoroughly to remove any debris.
2. An in line water filter must be used with this product.
3. Inspect the supply pipes for damage. Replace as necessary.
4. Observe local plumbing codes.
5. Check for leaks before covering the pipes, repair as needed.
6. Recommended working pressure: 100 to 500kPa.
7. Maximum working pressure: 800kPa.
8. All installations should comply with the relevant requirements of AS/NZS 3500 and AS/NZS 6400.
9. Inlet threads of body are G1/2" female.

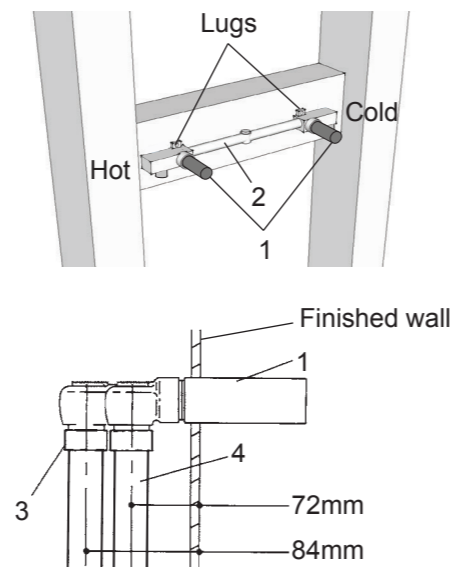
ROUGH-IN DIMENSIONS



INSTALLATION - In-Wall Valve

NOTE: DO NOT REMOVE THE PLASTIC GUARDS(1) UNTIL THE FINISHED WALL HAS BEEN COMPLETED.

- 1.) Construct a suitable wall frame for the in-wall valve body(2). Make sure the frame is level and correct.
Note: Distance of Inlet centres from finished wall: 72-84mm
- 2.) Screw the in-wall valve body onto the frame through the lugs (x 2).
- 3.) Connect the G1/2" water supply pipes(4) to the inlets(3).
Note: Hot inlet on left, cold inlet on right.



INSTALLATION - In-Wall Valve Checkout

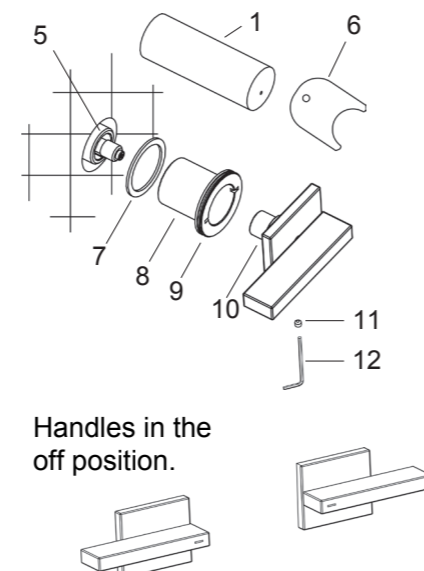
- 1.) Ensure that all connections are tight. Remove plastic guards and make sure the valves are in the off position (Clockwise for left valve and counter-clockwise for right valve).
- 2.) Turn on the main water supply and check for leaks. Repair as needed.
- 3.) Replace plastic guards & make sure the main water supply is turned off.

INSTALLATION - Finished wall

- 1.) When installing the finished wall make sure to create the appropriate holes for the valves and spout.

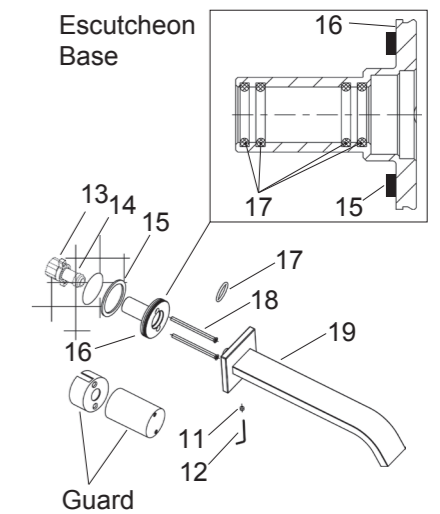
INSTALLATION - Handles

- 1.) Remove and discard the plastic guards only after the finished wall has been completed.
- 2.) Put the rubber washers(7) into the rear groove of the escutcheon bases(8). Using the supplied key(6) screw the escutcheon bases onto the in-wall valve(5) until the flanges(9) sit flush against the finished wall.
- 3.) With the screw holes facing downwards, place the handle kits(10) onto the escutcheon bases with the valves closed (horizontal).
(Note: The handle kit with the red mark should be installed on the left hand side).
- 4.) Secure both handle kits by tightening the grub screws(11) with a 2mm hex wrench(12).



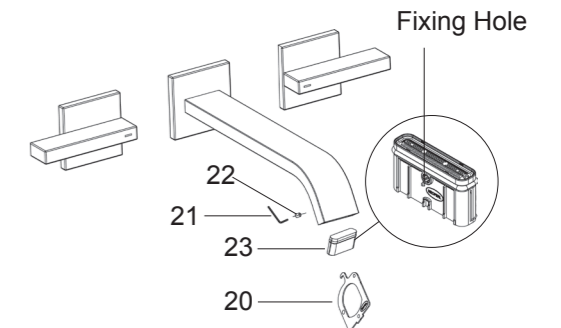
INSTALLATION - Spout

- 1.) Stick the adhesive washer(15) onto the rear of the escutcheon base(16) flange.
- 2.) Check if O-rings(17) are in the inside grooves of escutcheon base (as shown in the figure to the right) and push the escutcheon base onto the spout adapter(14) until it is flush against the finished wall.
- 3.) Insert two screws(18) through the escutcheon base and screw into the thread ring(13).
- 4.) Install the spout(19). Tighten the grub screw(11) with 2mm hex wrench(12).



INSTALLATION CHECKOUT

- 1.) Ensure that all connections are tight and that the handles are in the off position (Horizontal).
- 2.) Open the drain and turn on the main water supply. Check for leaks and that everything is functioning properly. Repair as needed.
- 3.) Loosen screw(22) with 1.5mm hex wrench(21) and carefully remove the aerator(23) with key(20).
- 4.) Turn on the tap and run the water through the spout for about one minute to remove any debris, then shut off the tap.
- 5.) Remove any debris from the aerator. With the aerator fixing hole facing downwards, reinstall the aerator.



CLEANING INSTRUCTIONS

All Finishes: Clean the finish with mild soap and warm water. Wipe entire surface completely dry with a clean soft cloth. Many cleaners may contain such chemicals as ammonia, chlorine, toilet chemicals etc. which could adversely affect the finish and are not recommended for cleaning.

Do not use abrasive cleaners or solvents on Kohler fittings.