

Product

- Grande Wall Hung toilet with Wrap over seat
- Grande Wall Hung toilet with Slim seat
- Grande Wall Hung toilet with Elite seat

Kohler Code

22638A-0
22638A-SLS-0
22638A-ELS-0



WELS RATING
(4 Star 3.5L av. flush)

Included Components

- Grande quiet close™, VQR (Vertical Quick Release) toilet seat
- Wall fixing kit

Elite Seat option:

- 1 Pack of mixed scents: Fresh Laundry, Avocado SPA and Garden Waterfall.
- Night light and fragrance unit, powered with 2 x AAA Batteries. The batteries are not supplied.

Features

- Optional mechanical or pneumatic in wall tank
- Rimless pan design
- Vitreous china
- Optional Slim or Elite seat.

Note: In-wall tank is not included. It must be purchased from following compatible in-wall tanks.



Compatible In-Wall-Tanks:

- Pneumatic Hydro-Tower 200 In-wall tank with frame (Low height)
- Pneumatic Hydro-Tower 300 In-wall tank with frame (Slim)
- Mechanical In-wall tank with frame (Slim)

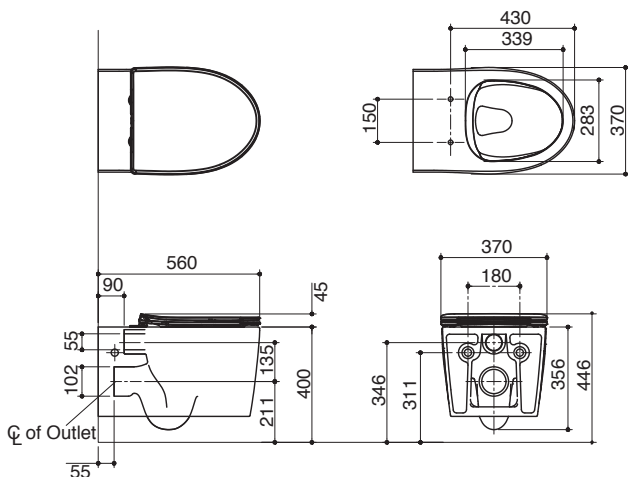
Kohler Code

20007A-PNE-NA (Subject to availability)
20010A-PNE-NA (Subject to availability)
4179A-NA

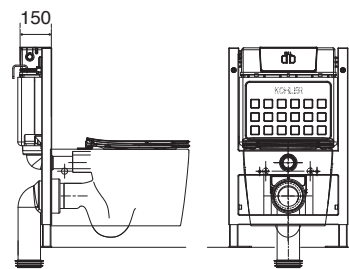
Technical Details

Dimensions are approximate.
Unit: mm.

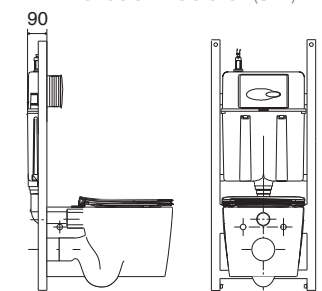
Weight: Pan - 27kg Approx



In wall cistern installation (Low height)



In wall cistern installation (Slim)



Installation Notes:

- Water supply pressure range: 140 kPa - 500 kPa.
- All three options of in wall cisterns has an adjustable height and is designed to be fixed to the floor and stud. Please refer to specification sheet and installation instruction for more information.