

Product

- Reach II back to wall toilet suite - Rear or side entry with Wrap over seat
- Reach II back to wall toilet suite - Rear or side entry with Slim seat

Kohler Code

21016A-0
21001A-0



Included Components

- Reach II toilet pan.
- Reach toilet cistern 4.5/3L.
- Optional Slim or wrap over seat
- Vario pan connector.
- Fill valve for rear entry.
- Rear entry water supply hose (pan side entry water supply hose not supplied).
- 2 x pan inlet cover.
- Floor fixing bolts, anchors and chrome covers.
- Back to wall pan 21001A-0
- Reach tank 98773A-0



WELS RATING
(4 Star 3.5L av. flush)

Features

- Dual flush (4.5/3L).
- Water entry: Top left rear entry or right/left pan side entry.
- Concealed trapway.
- Rimless pan design.
- Vitreous china.
- P-trap set out height: 185mm.



- Pan SKU 21002A-0
- Cistern SKU 98773A-0

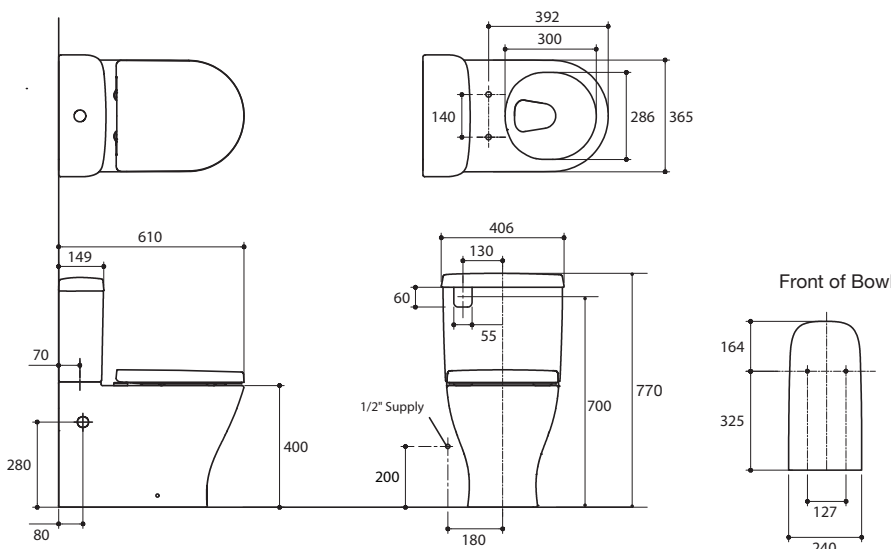
Related Products

- Reach basins
- Reach toilets

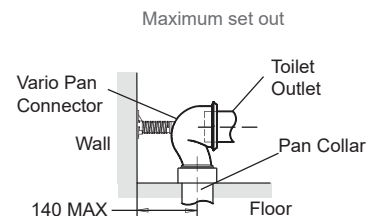
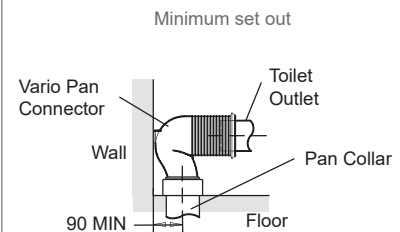
Technical Details

Dimensions are approximate.
Unit: mm.

Weight: Pan - 36kg Appr
Cistern - 14kg Appr



Vario pan connector S-trap installation



*Note: Set outs between 160-240 mm are achievable with the Long Adjustable Vario Connector 77837A-NA (not supplied).

Installation Notes:

- Water supply pressure range: 20 psi (137 kPa) - 73 psi (500 kPa).
- Can be installed as a P-trap using a straight connector (not supplied) or as an S-trap using the vario connector (supplied) and pan collar (not supplied).
- Rear entry water supply hose is supplied. Pan side entry water supply hose is not supplied and must be purchased separately.
- The installation of a remotely located inlet shut-off valve (not supplied) is required.