

### Important Information

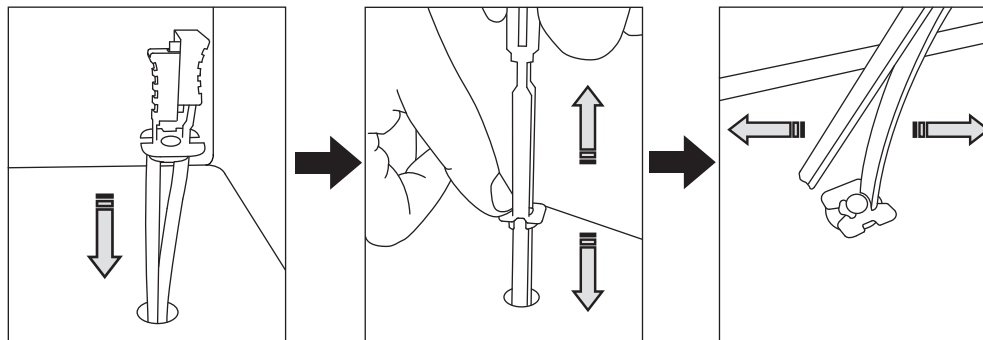
Record your model number below for future reference:

**IMPORTANT NOTICE TO INSTALLERS!:** Please leave these instructions for the consumer. Please retain for future reference.

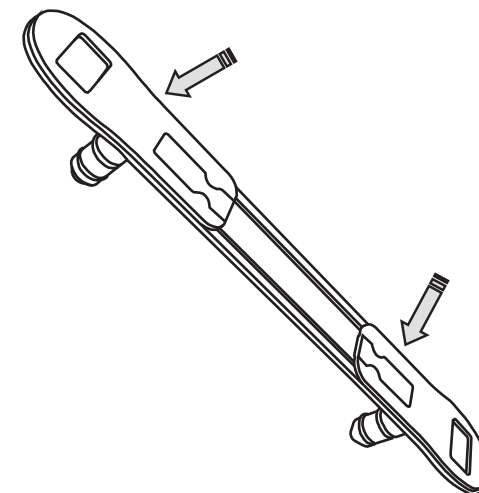
**NOTE:** Some installation parts might not be provided.

**NOTE:** The product pictured in the installation steps may differ from the model being installed.

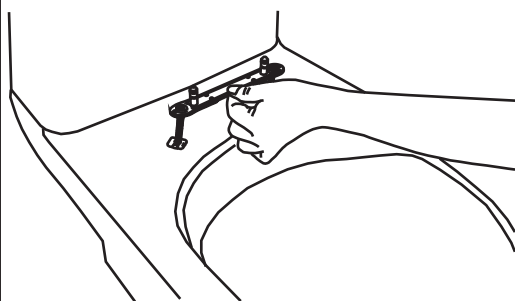
- 1** Insert the toggles into the seat fixings holes. Push the collar down while pulling straps up and snap off straps.



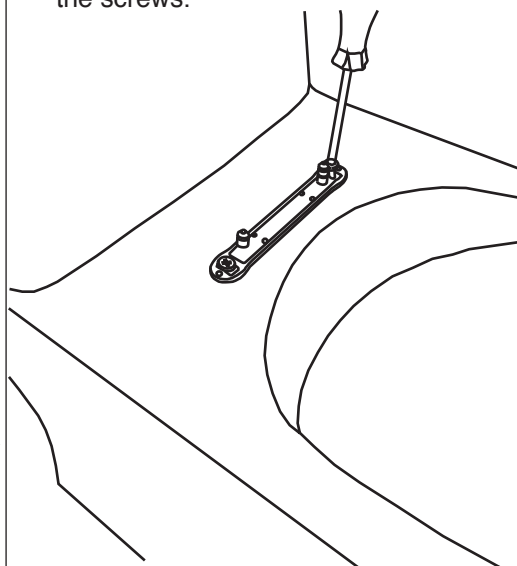
- 2** Insert the gaskets into the hinge plate.



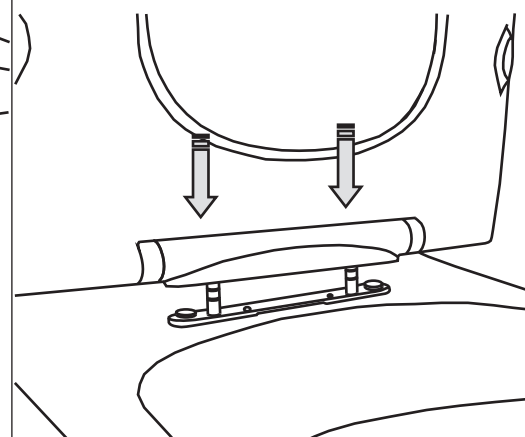
- 3** Insert the mounting plate into the mounting holes.



- 4** Position the mounting plate and tighten the screws.



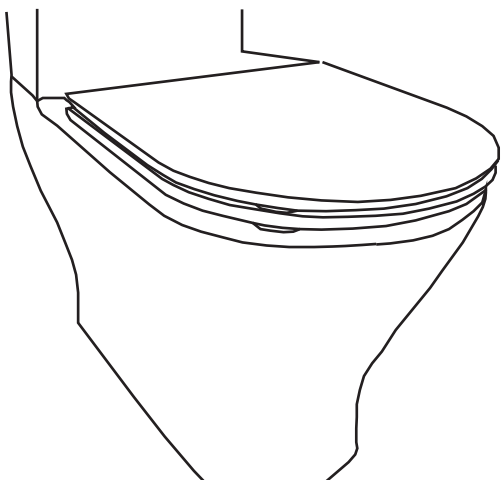
- 5** Position the mounting plate and tighten the screws.



- 6** Close the toilet seat.



**7** Your Quick Release seat is now installed.



## Care and Cleaning

Clean the outside surface of your toilet seat with mild soap, such as liquid dish soap and warm water. Wipe the entire surface completely dry with a clean soft cloth.

Do not use any abrasive cleaners, as they will scratch and dull the surface.

Avoid any detergents, disinfectants, or cleaning products in aerosol cans.

Avoid contact with abrasive chemicals and cosmetics, such as fingernail polish and aftershave, as they may damage the finish of your toilet seat.

For warranty information, please visit our website

Australia  
[www.kohler.com.au](http://www.kohler.com.au)

New Zealand  
[www.kohler.co.nz](http://www.kohler.co.nz)

**KOHLER**  
**CALL US FOR HELP**

---

NEW ZEALAND  
KOHLER NZ LTD

AUSTRALIA  
KOHLER CO.

Free Ph: 0800 564 537 (0800 KOHLER)  
Free Fax: 0800 664 488  
[www.kohler.co.nz](http://www.kohler.co.nz)

Free Ph: 1 300 362 284  
Free Fax: 1 300 652 284  
[www.kohler.com.au](http://www.kohler.com.au)