

**Color code must be specified when ordering

BEFORE YOU BEGIN

All information is based on the latest product information available at the time of publication. Kohler Co. reserves the right to make changes in product characteristics, packaging, or availability at any time without notice.

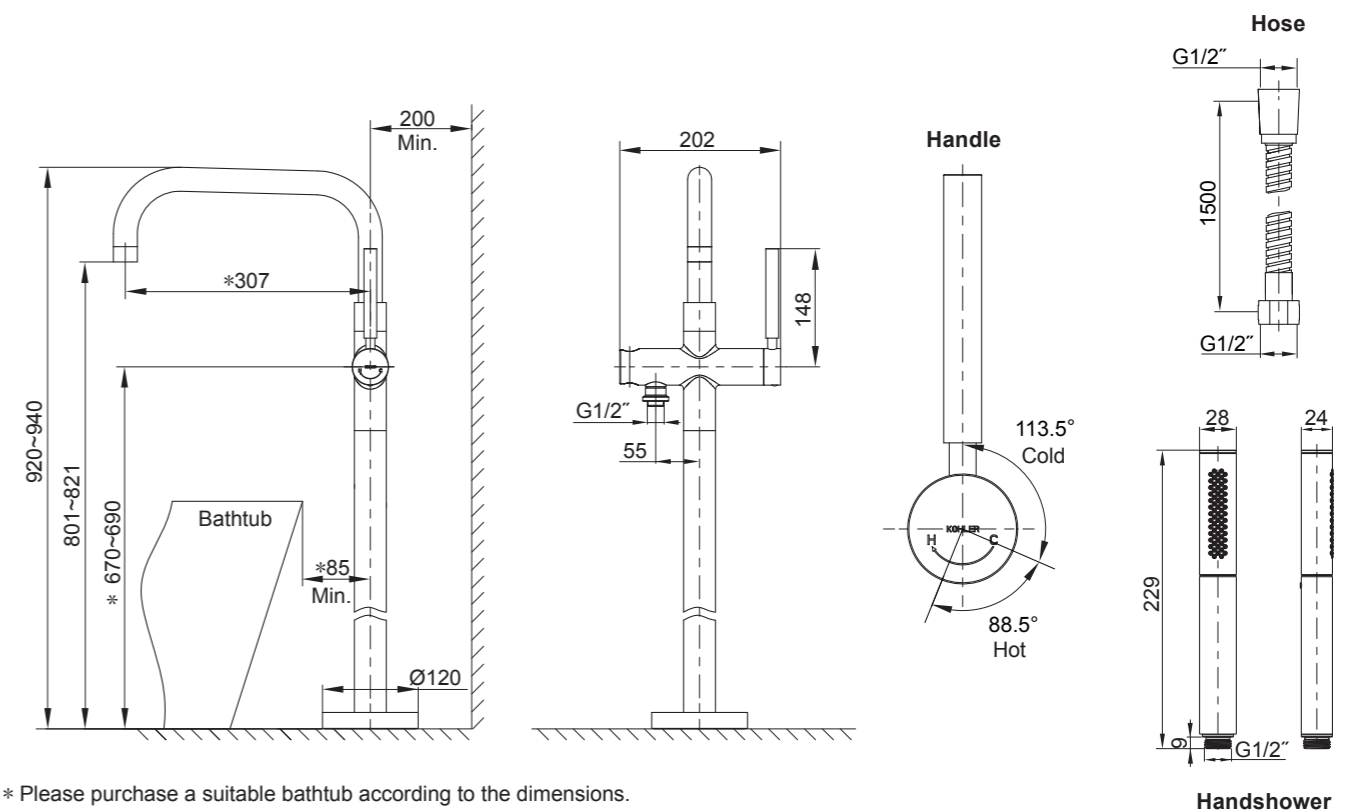
Please leave these instructions for the consumer. They contain important information.

1. Flush the water supply pipes thoroughly to remove any debris.
2. An in line water filter must be used with this product.
3. Inspect the supply pipes for damage. Replace and maintain as necessary.
4. Observe local plumbing codes.
5. The minimum inlet water pressure for the diverter is 50KPa.
6. Recommended working pressure: 100KPa to 500KPa.
7. Check for leaks before covering the pipes, repair as needed.
8. The highest working pressure for handspray is 500KPa. If it exceeds 500KPa a pressure reducer is needed.
9. The highest water and environment temperature is 60°C. Please keep handspray away from heater, or it may get damaged.
10. Please purchase the matched mounting base 97905T-DR when installing the faucet.
11. All installations should comply with the relevant requirements of AS/NZS 3500 and AS/NZS 6400.

HANDLE OPERATION

Turn the handle gently. Turn for hot and cold water as shown below.

ROUGH-IN DIMENSIONS



* Please purchase a suitable bathtub according to the dimensions.

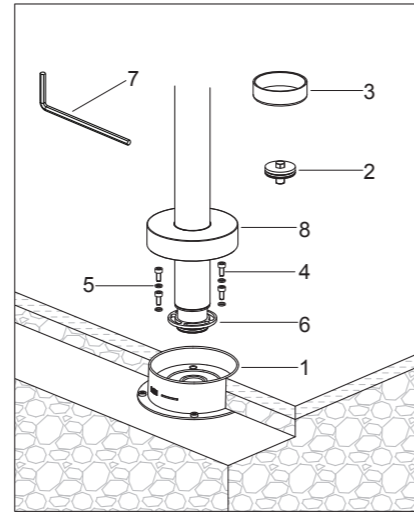
INSTALLATION - Base

Please refer to the installation instructions supplied with the mounting base 97905T-DR.

Note: Install the tapware away from walls and fixtures as to not interfere with handle operation.
Please refer to the rough-in dimensions on page 1.

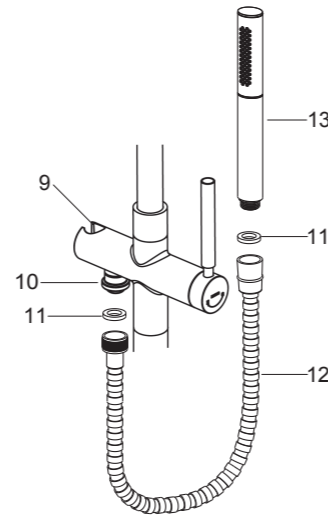
INSTALLATION - Tapware

- 1.) Shut off water supply and remove plug(2) from base(1), slide escutcheon(8) up and remove protector(3).
- 2.) Loosely fix flange(6) onto base with screws(4) and washers(5).
Note: Keep tapware vertical to base to avoid damaging o-ring at bottom.
- 3.) Adjust tapware so that spout points to bath and tighten screws with hex wrench(7).



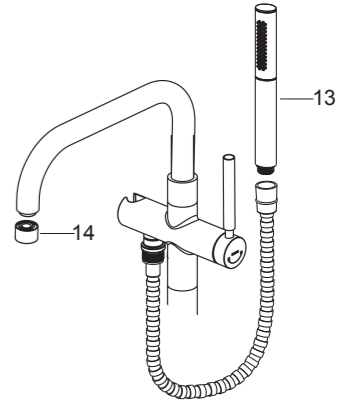
INSTALLATION - Handspray

- 1.) Remove protector from diverter(10).
- 2.) Connect hose(12), diverter, and handspray(13) with washers(11) and tighten all the connections.
- 3.) Hang handspray on bracket(9).



INSTALLATION CHECKOUT

- 1.) Ensure coupling nuts are tight.
- 2.) Ensure that the lever handle is in off position and turn on main water supply. Check for leaks and repair as needed.
- 3.) Remove the handspray(13) and aerator(14). Run hot and cold water for about one minute to remove any debris. Check for leaks. Remove any debris from aerator. Shut off tapware and reinstall the aerator and handspray.



CLEANING INSTRUCTIONS

All Finishes: Clean the finish with mild soap and warm water. Wipe entire surface completely dry with a clean soft cloth. Many cleaners may contain such chemicals as ammonia, chlorine, toilet chemicals etc. which could adversely affect the finish and are not recommended for cleaning.

Do not use abrasive cleaners or solvents on Kohler fittings.