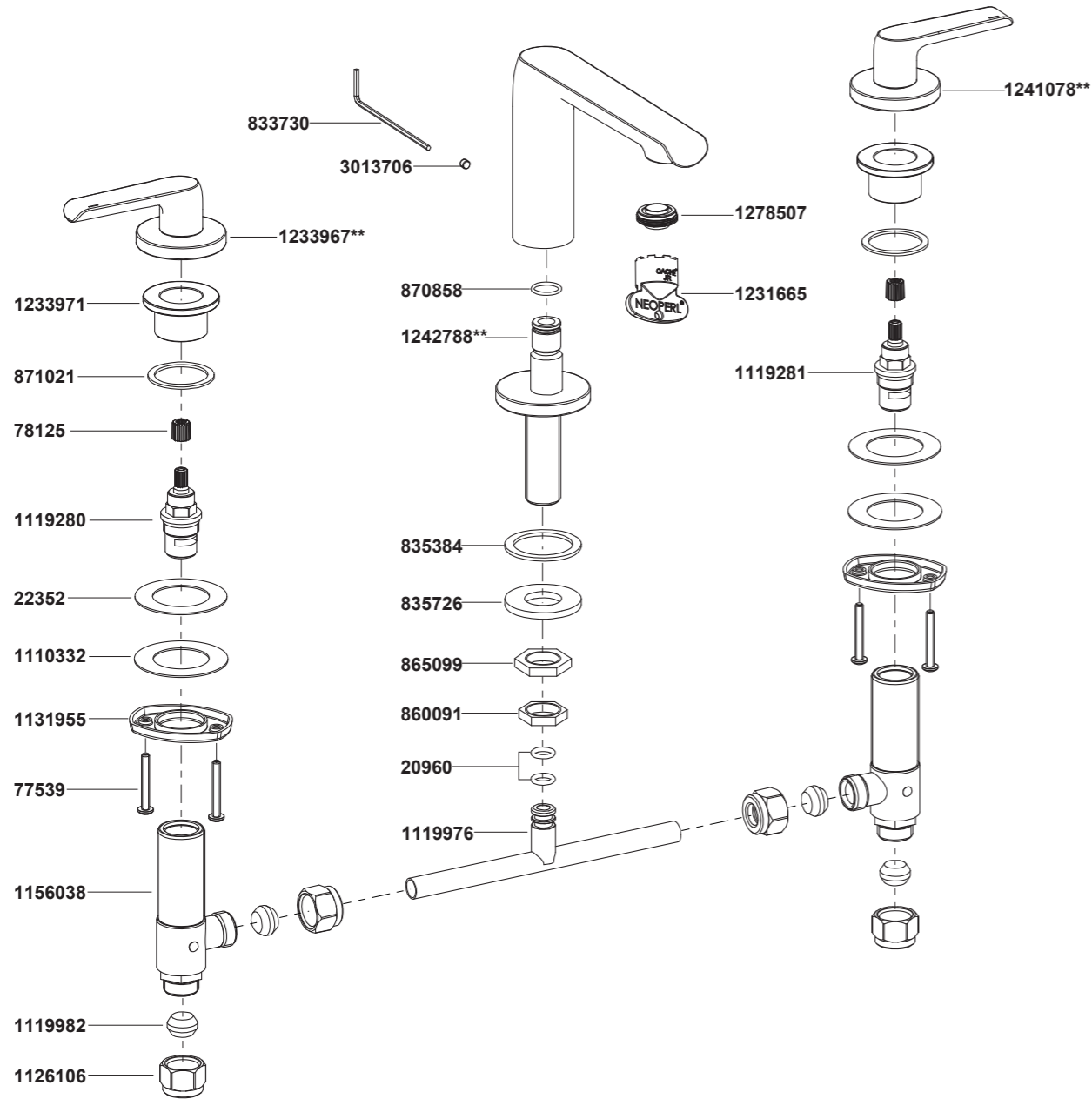


**97352T-4ND Hob Mount Basin Set**



\*\*Color code must be specified when ordering.

**97352T-4ND Hob Mount Basin Set**

**BEFORE YOU BEGIN**

All information is based on the latest product information available at the time of publication. Kohler Co. reserves the right to make changes in product characteristics, packaging, or availability at any time without notice.

Please leave these instructions for the consumer. They contain important information.

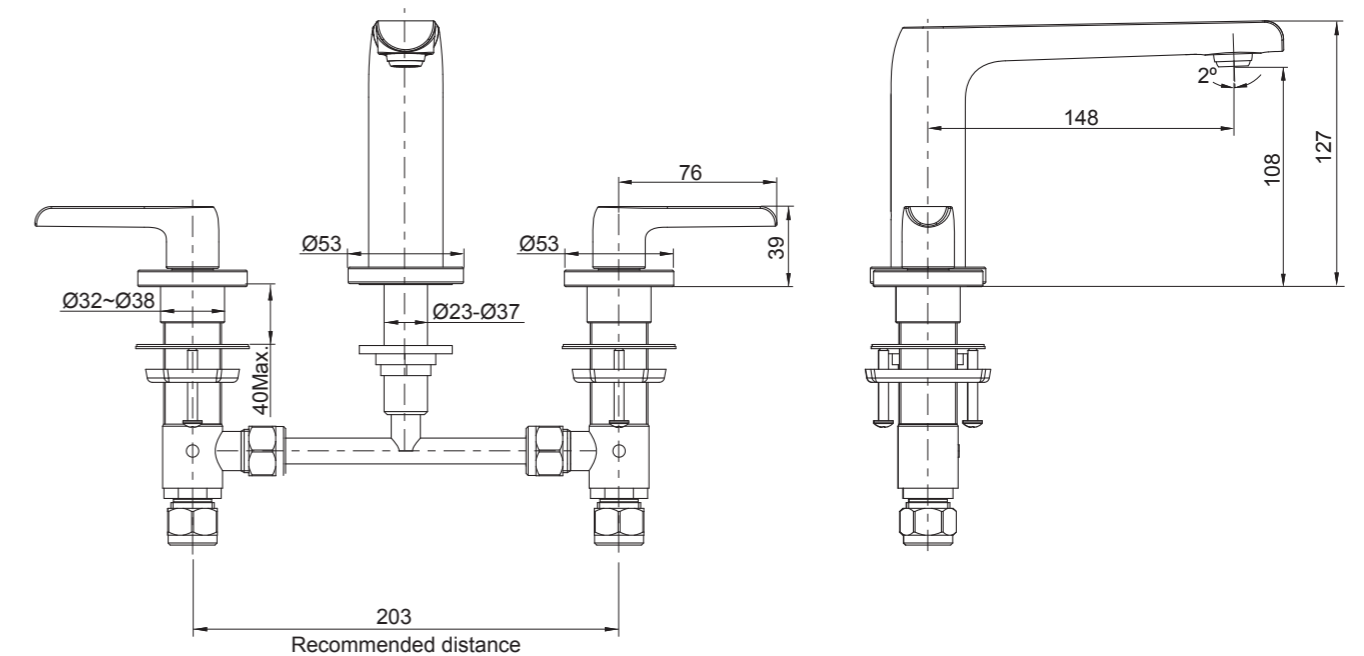
**NOTES:**

1. Flush the water supply pipes thoroughly to remove debris.
2. An inline water filter must be used with this product.
3. If possible, install this basin set before installing the basin.
4. Inspect the supply tubing for damage and leakage. Replace and maintain as necessary.
5. Observe local plumbing codes.
6. Shut off the water supplies to the fitting.
7. All installations should comply with the relevant requirements of AS/NZS 3500 and AS/NZS 6400.

**HANDLE OPERATION**

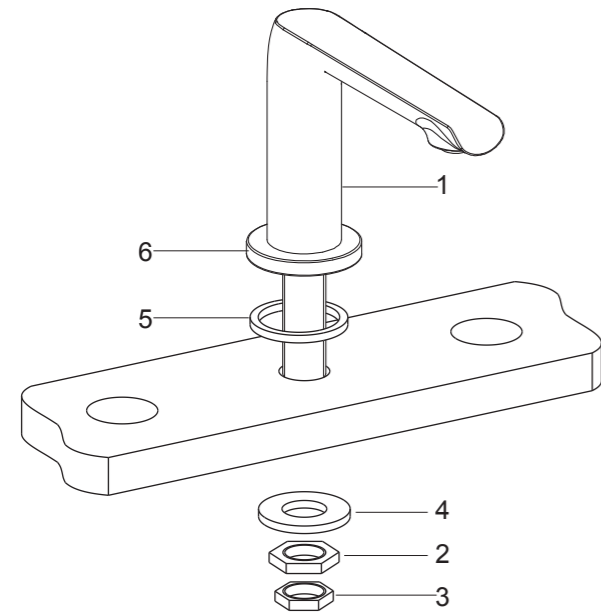
Right handle opens with turning clockwise. Left handle opens with turning counter-clockwise.

**ROUGH-IN DIMENSIONS**



**97352T-4ND**

## INSTALLATION

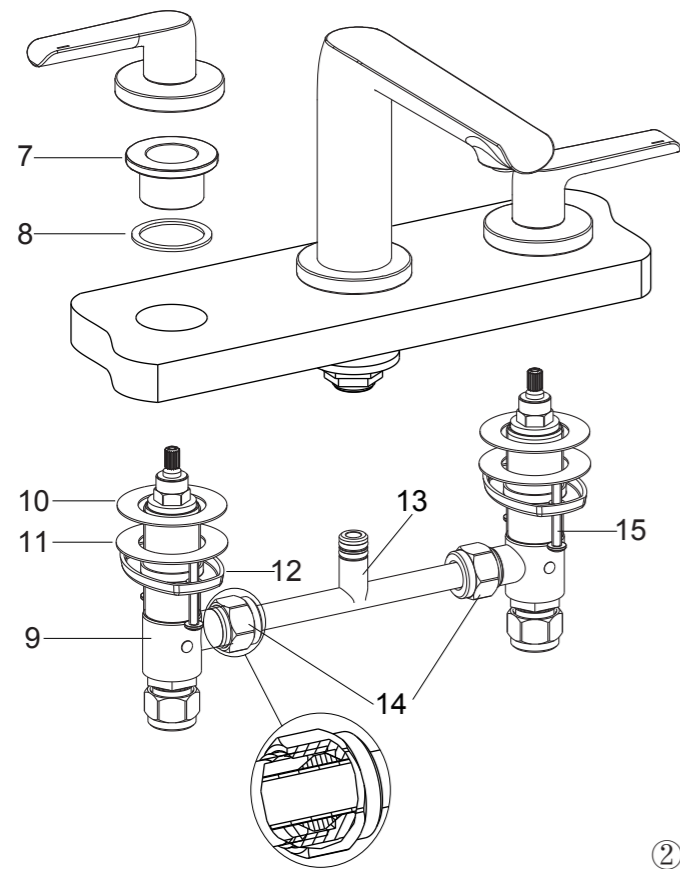


### How to Install the Spout

Remove the parts from the spout kit(1) and retain them according to the following order: the nut(3), nut(2) and metal washer(4).

Install the washer(5) to the bottom(6) of the spout kit, then insert the spout kit into the center hole of the basin.

From underside of basin, install the metal washer(4), nut(2), nut(3), and wrench to tighten the nut(2), then tighten the nut(3).



### How to Install the Side Bodies and Handles

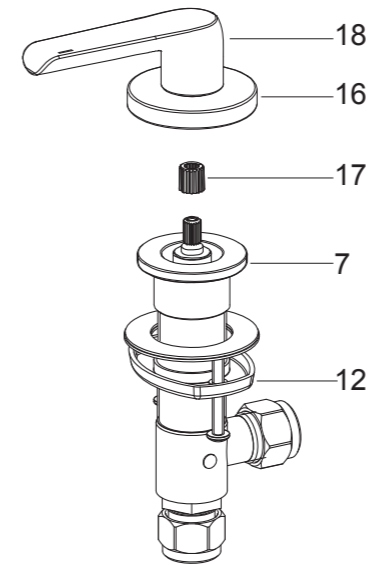
Remove the connectors(7) and washers(8) from side bodies(9). Be sure the washers(10), washers(11) and threaded rings(12) on the valve bodies.

Trim the tee-piece(13) to suit the basin hole centers. Loosen the nuts(14) on the side bodies, and assemble the tee-piece to the side bodies as shown. Tighten the nuts(14) by hand.

From the underside of the basin, install the valve bodies into the mounting holes of basin(**NOTE:** the valve body with red dot should be installed on the left side). Locate the tee-piece onto the spout shank.

If the tee-piece cannot be inserted into the shank, you can loosen the nuts(14) by hand, and adjust the tee-piece position. Then tighten the nuts(14) with a wrench.

Put the washers(8) into the bottom groove of the connectors(7). Tighten the connectors onto the valve bodies. Secure the threaded rings(12) by tightening screw(15) with screwdriver.

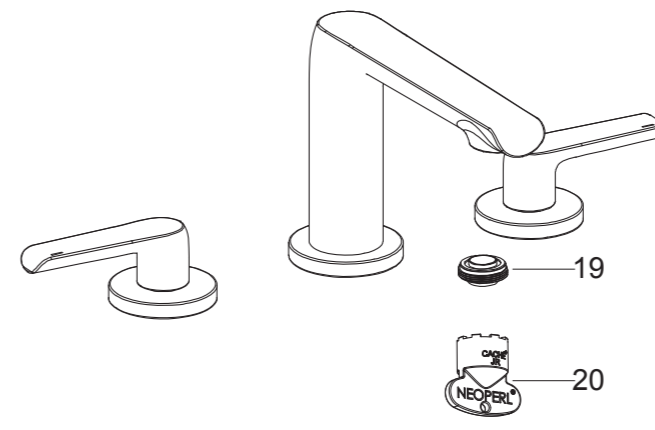


Press the adapters(17) on the valve stems. Ensure the handles and valves are in the off position.

Tighten the escutcheon(16) of the handle kits(18) onto the connectors(7) with the valves closed (**NOTE:** The handle kit with red mark should be installed on the left side).

Attach the water supplies to the valve bodies. Hot water to left valve body, cold water to right valve body.

## INSTALLATION CHECKOUT



Ensure that all coupling nuts are tight. Ensure that the lever handles are in the off position. Turn on the main water supply and drain, and check for leaks. Repair as needed.

Remove the aerator(19) by key(20). Run hot and cold water through faucet for about one minute to remove any debris. Check for leaks. Repair as needed. Remove any debris from the aerator. Shut off the faucet. Reinstall the aerator.

## CLEANING INSTRUCTIONS

All Finishes: Clean the finish with mild soap and warm water. Wipe entire surface completely dry with clean soft cloth. Many cleaners may contain chemicals, such as ammonia, chlorine, toilet cleaner etc, which could adversely affect the finish and are not recommended for cleaning.

Do not use abrasive cleaners or solvents on Kohler faucets and fittings.