

## BEFORE YOU BEGIN

### A. How to use these instructions

- Please read these instructions carefully to familiarize yourself with the required tools, materials, and installation sequences. Follow the sections that pertain to your particular installation. This will help you avoid costly mistakes. In addition to proper installation, read all operating and safety instructions.
- All information in these instructions is based upon the latest product information available at the time of publication. Kohler Co. reserves the right to make changes in product characteristics, packaging, or availability at any time without notice.
- These instructions contain important care, cleaning, and warranty information - Please leave instructions for the consumer.

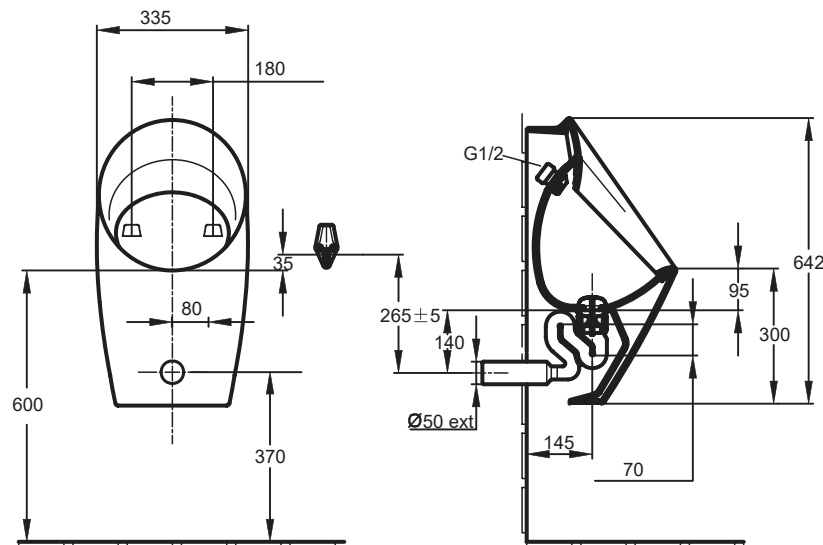
### B. Notes

- Observe all local plumbing and building codes.
- Shut off the water supply.
- Carefully inspect the new fixture for any sign of damage.
- Be very careful while handling vitreous china products.

### C. Required tools and materials

- Drill
- Open end/adjustable wrenches
- Measure tape
- Thread sealant tape
- Basin Wrench
- Screwdriver
- Sealant
- Touchless Urinal Sensor or other assy. for flow controlling (Recommended Kohler Touch-less urinal Sensor K-8787T-C02/K-8791T-C02).
- Recommend the no less than 9mm stainless steel twist pipe as inlet.

## ROUGHING-IN



Unit: mm

Fig.1

## INSTALLATION

### A. Install Urinal Sensor

Recommended Urinal Sensor Kohler Urinal Sensor 8787T-C02/8791T-C02

### B. Install Outlet Connection

- Ascertain the position for outlet connection according to rough-in.
- Apply sealant on outlet pipe, and connect the outlet connection with outlet pipe. Insert gasket as shown in Fig.2.
- Fix outlet connection on the installing wall.

Note: Fig.2 may be different for different outlet connection.

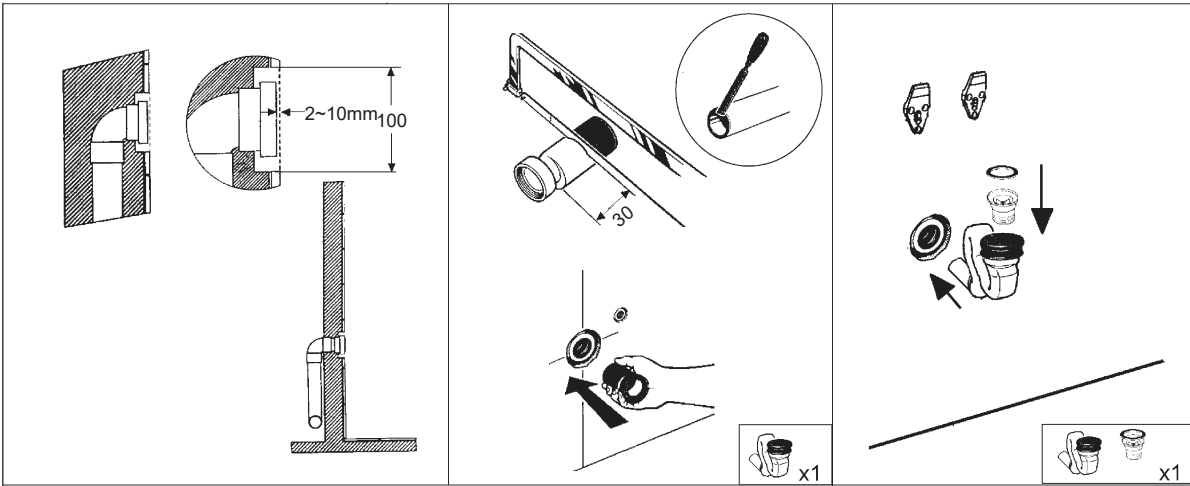


Fig.2

### C. Install hook

(See Fig.3)

Drill 2 mounting holes on the wall and install hook. Fix hook on the wall by tightening screws.

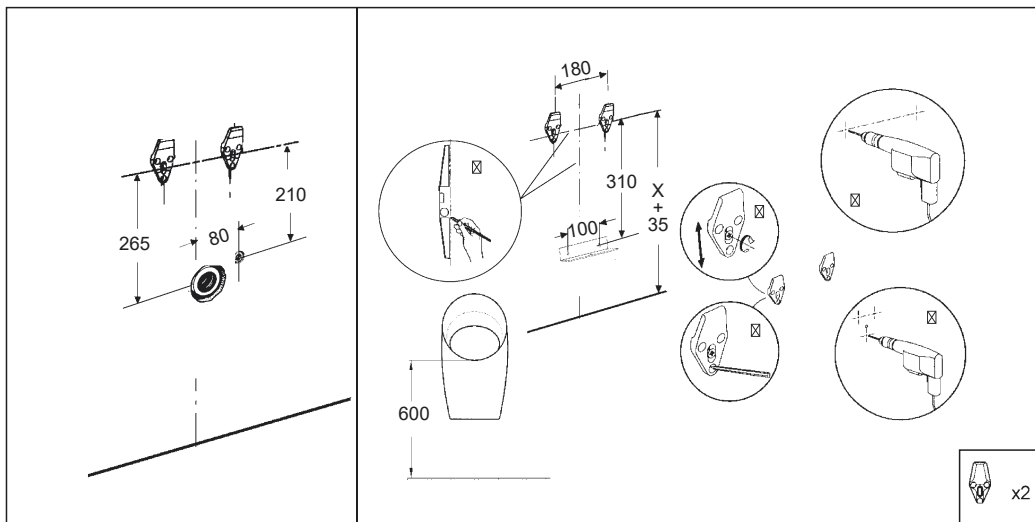


Fig.3

### D. Install inlet pipe

Insert gasket and nut into the urinal as shown. Connect the inlet connection with inlet pipe.

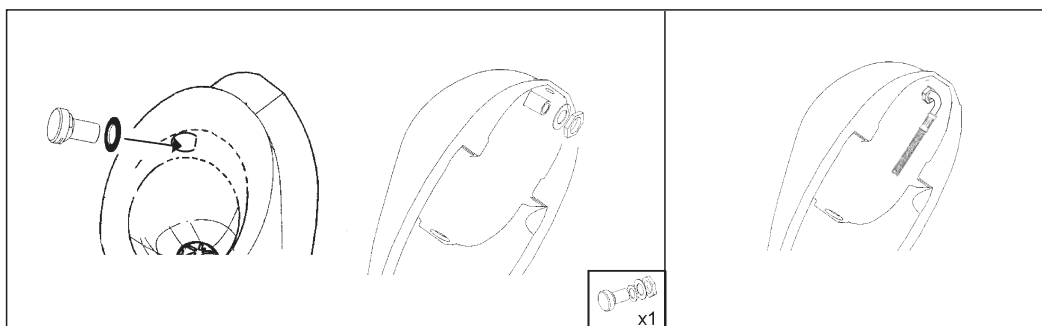


Fig.4

## E. Install urinal

(See Fig.5)

Lift up the urinal, level the installing hole with the hole on installing. The urinal on the hook secure.

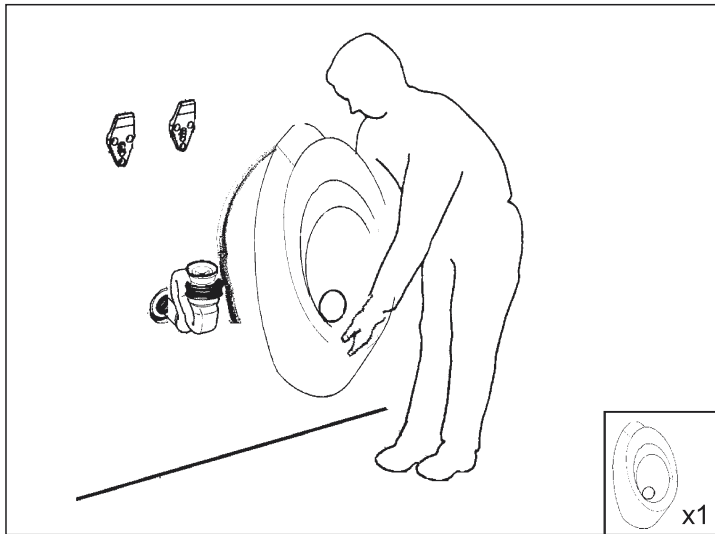


Fig.5

## F. Install beehive strainer

Ascertain the position for beehive strainer as shown. Fix the beehive strainer by tightening screw.

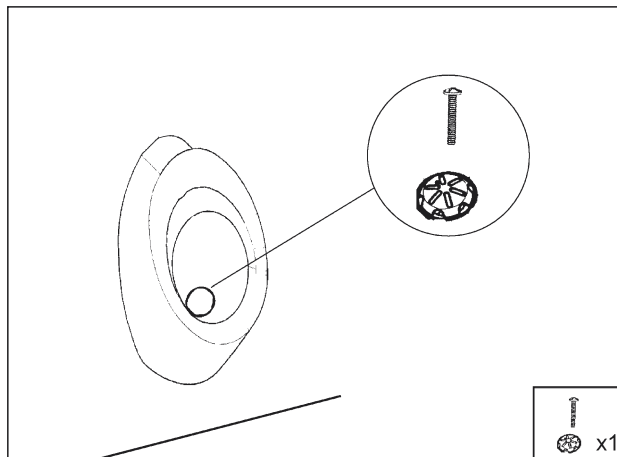


Fig.6

## CONSUMER RESPONSIBILITIES

1. Urinal is designed for use with potable water. Avoid water that includes a lot of contaminants or with acid/alkali water and impure water.
2. If you live in a hard water area, make certain that the holed in the toilet rim are kept clean to ensure proper bowl flushing, Toilet bowl cleaners should be used at least once a week. Use a long-handled brush to clean the rim holes, and to clean as far into the trap as possible to prevent mineral deposits from forming.
3. Most toilet bowl cleaners are not harmful to the surface of the urinal, please follow the bowl cleaner manufacturer's instructions carefully.
4. Do not use abrasive cleaners for china surface.
5. Do not directly flush the wire connector of sensor with water.
6. Do not make Sensor Window near strong ultraviolet and electromagnetism.
7. Keep the sensor window clean. Do not attack the sensor. The sensor cover can be cleaned by the soft rag. (with neutral liquid detergent). Do not use the eradicator, abrasive powder or the oil, acid or alkali liquid detergent. Do not spritz the air freshener, disinfectant or the other kinds of odious smell remove, clean organic liquid to the sensor directly.

